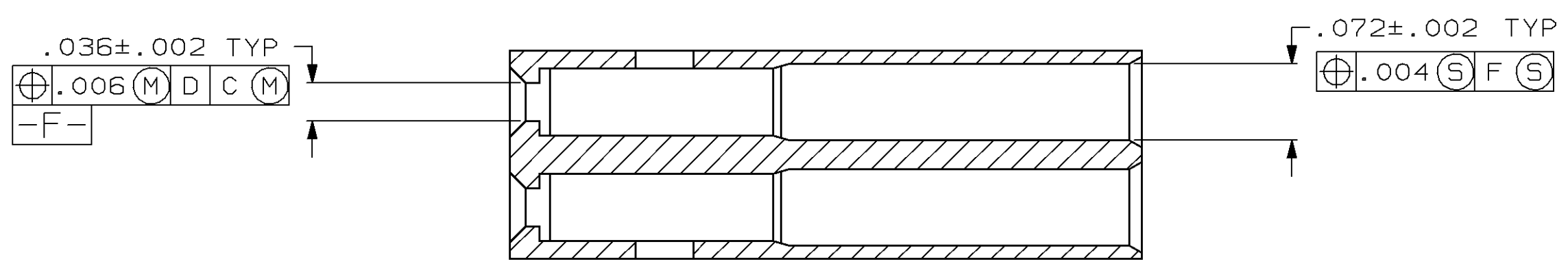
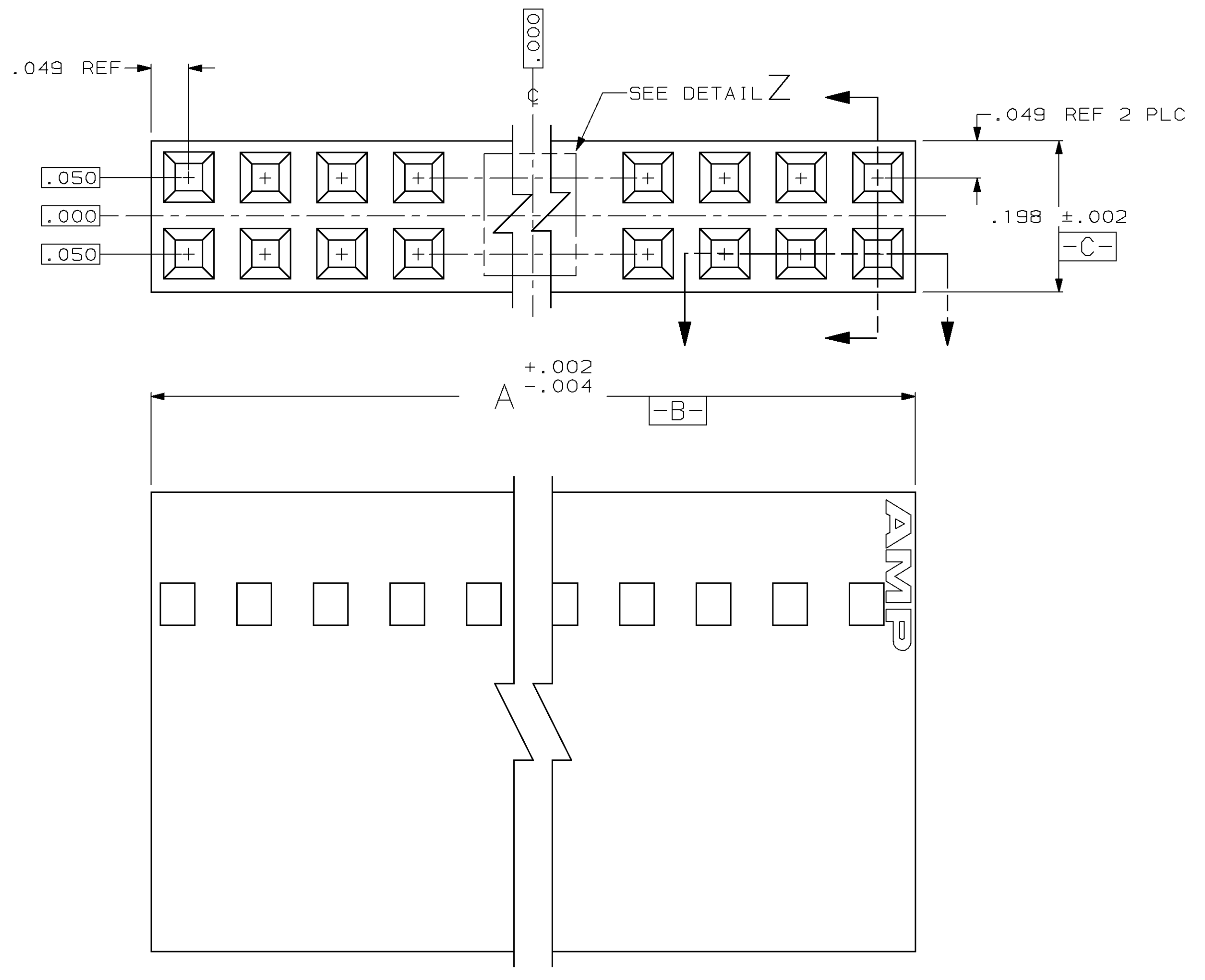
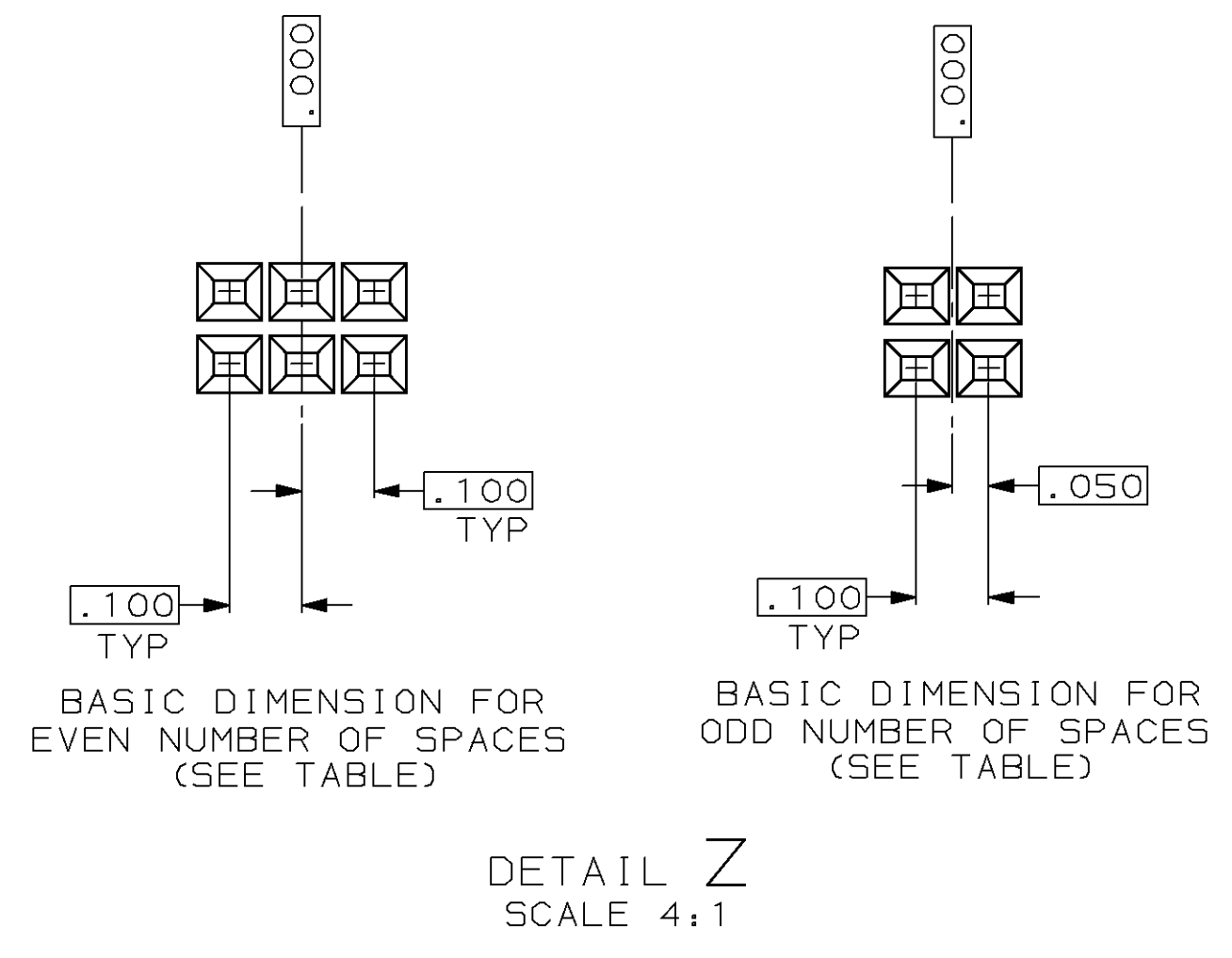
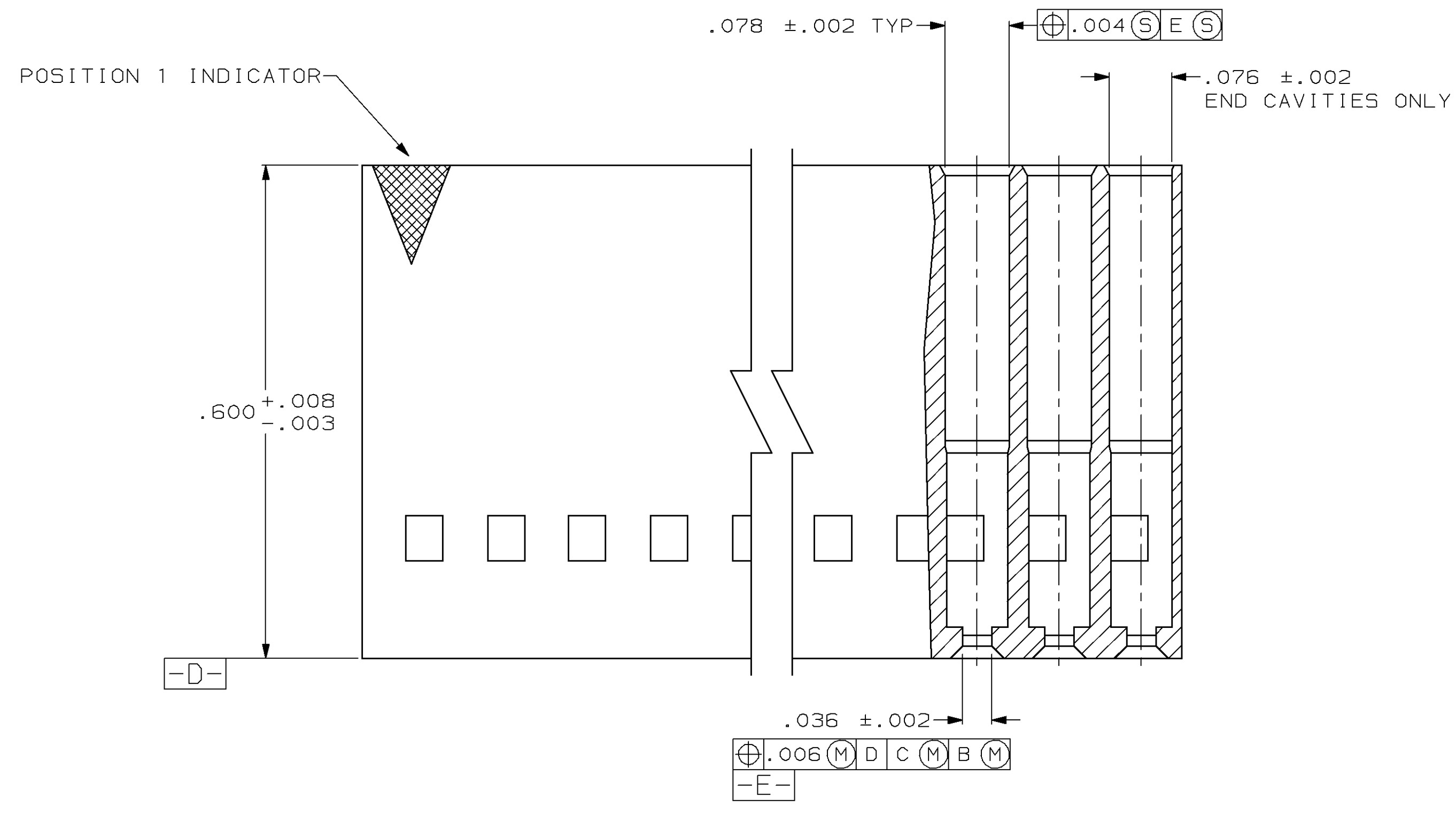


REVISED		REVISED		REVISED		REVISED		REVISED	
NO	LOC	DIST	P	ZONE	LTR	DESCRIPTION	DATE	APPD	CHK
44	AD	39				REL PER PR-2669	5-17-89	SAS/	
						REV LOC & DIST AD-4171	3-90	BF	
						REV PER 0010-1422-94	10-11-94	PS	
						REV PER 0010-1483-95	3-26-96	PS	



NO	LOC	DIST	P	ZONE	LTR	DESCRIPTION	DATE	APPD	CHK
2.598	25	52							
2.198	21	44							
1.998	19	40							
1.898	18	38							
1.798	17	36							
1.698	16	34							
1.598	15	32							
1.498	14	30							
1.398	13	28							
1.298	12	26							
1.098	10	22							
.998	9	20							
.898	8	18							
.798	7	16							
.698	6	14							
.598	5	12							
.498	4	10							
.398	3	8							
.298	2	6							
.198	1	4							
A	NO OF SP	NO OF POSN			PART NUMBER				

DO NOT SCALE PRINT. UNLESS SPECIFIED DIMENSIONS IN INCHES TOLERANCES ON:		DR 5-17-89 SCOTT A. SHUEY		AMP INCORPORATED Harrisburg, Pa. 17105	
2 PLC DEC ±	-	CHK 5-18-89 H. MOLL			
3 PLC DEC ±	-	APPD 5-18-89 R. ELICKER			
ANGLES ±	-	APPD 5-18-89 FLINCHBAUGH			
MATERIAL	FLAME RETARDANT THERMOPLASTIC COLOR: BLACK	PRODUCT SPEC			
FINISH	-	APPLICATION SPEC			
WEIGHT	-	SCALE 8:1			
		SIZE D	FSCM NO 00779	DRAWING NO 104482	
				SHEET 1 OF 1	

CUSTOMER DRAWING